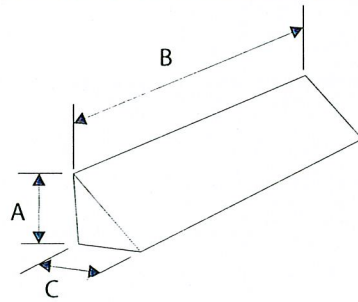
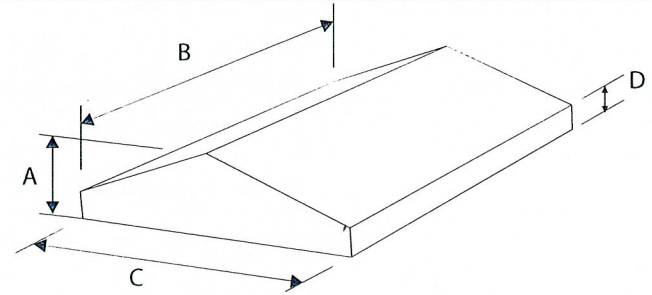


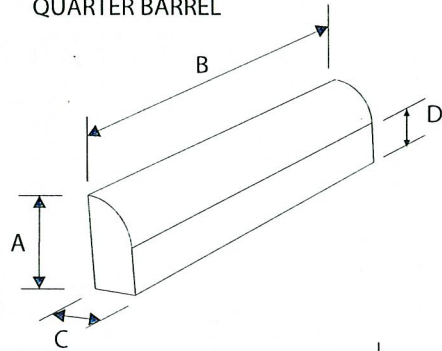
QUARTER BARREL



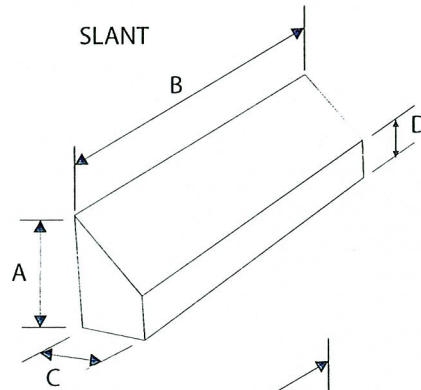
SLANT



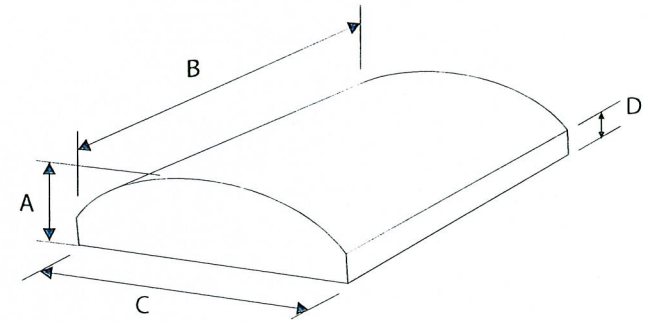
GABLE MARQUEE



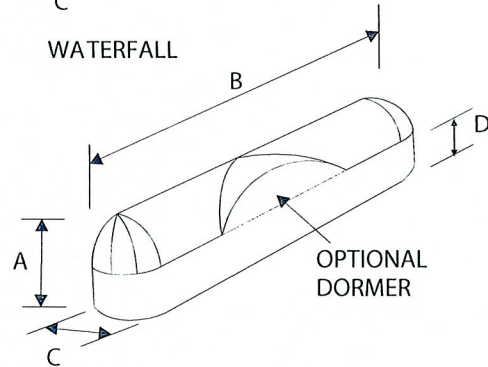
WATERFALL



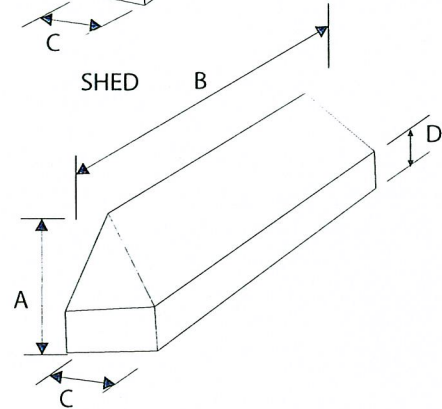
SHED



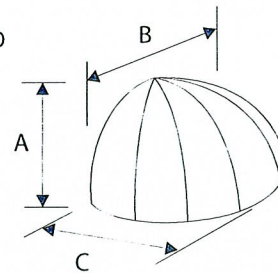
MARQUEE



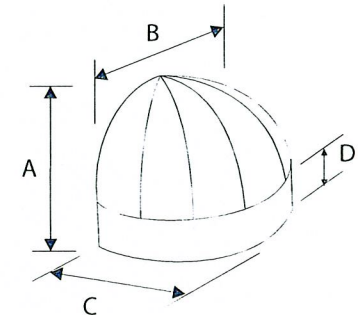
RADIUS ENDED WATERFALL



HIP ENDED SHED



DOME



DOME W/ SIGN PANEL



Typical Awning Styles

A = HEIGHT

C = PROJECTION

B = WIDTH

D = SIGN PANEL